

C16i...

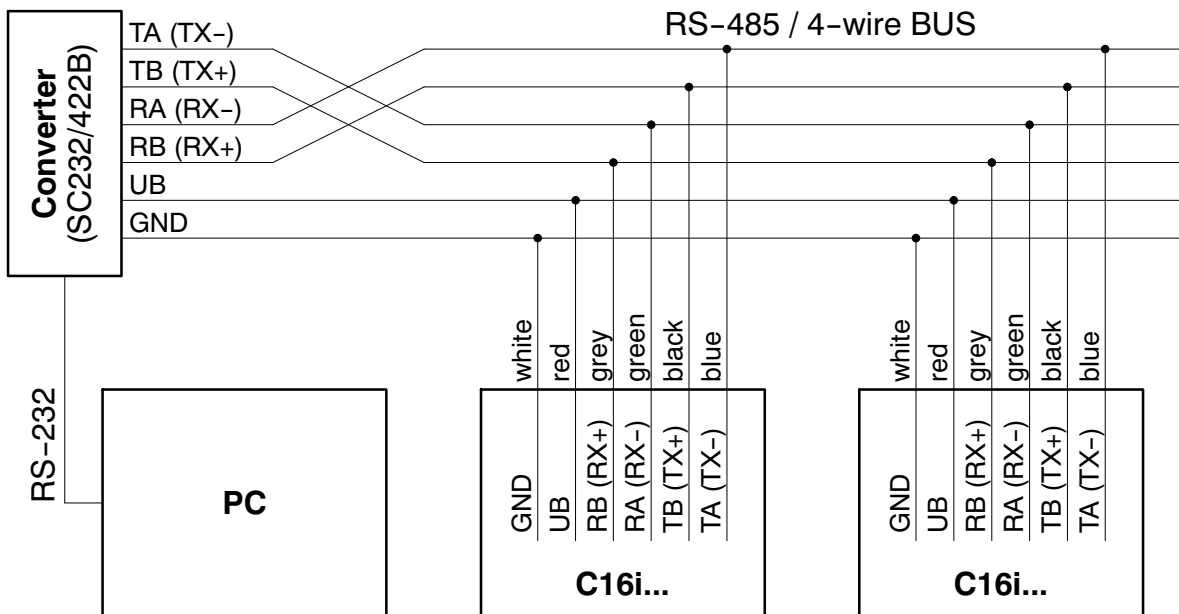
Digital Load Cells



Special features

- Digital output signal (RS-485 / 4-wire)
- Nominal (rated) loads: 20 t ... 60 t
- Self restoring rocker pin
- Simple to install
- Stainless steel material, laser welded, IP68
- Legal for trade verification according to OIML R60 up to 3000 d
- Legal for trade verification according to NTEP III LM up to 10 000 d
- Meets EMC / ESD requirements according to EN 45 501
- Inbuild overvoltage protection

Wiring code



Specifications

Type	C16i D1				C16i C3				
	20 t	30 t	40 t	60 t	20 t	30 t	40 t	60 t	
Nominal (rated) load (E_{max})									
Accuracy class according to OIML R60 Max. numbers of LC verification intervals (n_{LC})	D1 (0.0330 %) 1000				C3 (0.0180 %) 3000 (10 000 NTEP III LM)				
Min. load cell verification interval (v_{min})	0.0200				0.0100 (0.006 NTEP III LM)		0.0083 (0.006 NTEP III LM)		
Min. scale verification interval (e_{min}) according to EN 45 501 [... LC = max. Number of load cells]	kg	-	-	-	-	5 [6 LC] 10 [10 LC]	10 [10 LC]	10 [6 LC] 20 [10 LC]	10 [4 LC] 20 [10 LC]
Sensitivity (C_N)	digit	1 000 000							
Sensitivity tolerance	%	±0.03							
Temperature effect on sensitivity (TK_C) ¹⁾	% of C_N	±0.0250 ¹⁾				±0.0080 ¹⁾			
Temperature effect on zero signal (TK_0)	/ 10 K	±0.0285				±0.0140		±0.0116	
Hysteresis error (d_{hy}) ¹⁾	% of C_N	±0.0330 ¹⁾				±0.0170 ¹⁾			
Non-Linearity (d_{lin}) ¹⁾		±0.0300 ¹⁾				±0.0180 ¹⁾			
Creep (d_{cr}), 30 min.		±0.0330				±0.0167			
Min. dead load output return (DR), 30 min.		±0.0330				±0.0167 (±0.0150 NTEP III LM)			
Reference excitation voltage (U_{ref})	V (DC)	12							
Nominal range of excitation voltage (B_U)		8.5 ... 15 ²⁾							
Current consumption	mA	50 ²⁾							
Resolution	Bit	20 (at 1 Hz)							
Measuring rate	1 / sec	200 100 50 25 12 6 3 2 1							
Filter mode 0	Hz	8 ... 0.05 (Low pass filter)							
Filter mode 1		8 ... 3 (Low pass filter)							
Asynchrone Interface		RS-485 / 4-wire (Cable lenght up to 500 m)							
Baudrate	Baud	1200 ... 115200							
Number of bus adresses		max. 32							
Nominal temperature range (B_T)		-10 ... +40 [14...104]							
Service temperature range (B_{tu})	°C [°F]	-20 ... +70 [-4...158]							
Storage temperature range (B_{ti})		-50 ... +85 [-58...185]							
Limit load (E_L)	% of E_{max}	150							
Breaking load (E_d)		> 350							
Permissible dynamic load (F_{srel}) (vibration amplitude acc. to DIN 50100)		70							
Nominal (rated) load (E_{max})		20 t	30 t	40 t	60 t	20 t	30 t	40 t	60 t
Deflection at E_{max} (s_{nom}), approx.	mm	0.65	0.75	0.85	1.22	0.65	0.75	0.85	1.22
Weight (G) with cable, approx.	kg	2.2	2.4	3.0	3.8	2.2	2.4	3.0	3.8
Protection class according to EN60529 (IEC529)		IP68 (test conditions 100 h at 1 m water column) IP69 K (water at high pressure, steam jet cleaning)							
Material: Meas. body + housing Cable fitting Sealing Cable-sheath		stainless steel stainless steel Viton thermoplastical elastomer							

¹⁾ The data for Non-Linearity (d_{lin}), Hysteresis error (d_{hy}) and Temperature effect on sensitivity (TK_C) are typical values. The sum of these data meets the requirements for $p_{LC} = 0.8$ according to OIML R60.

²⁾ Please refer to the power supply table in the Installation instructions!

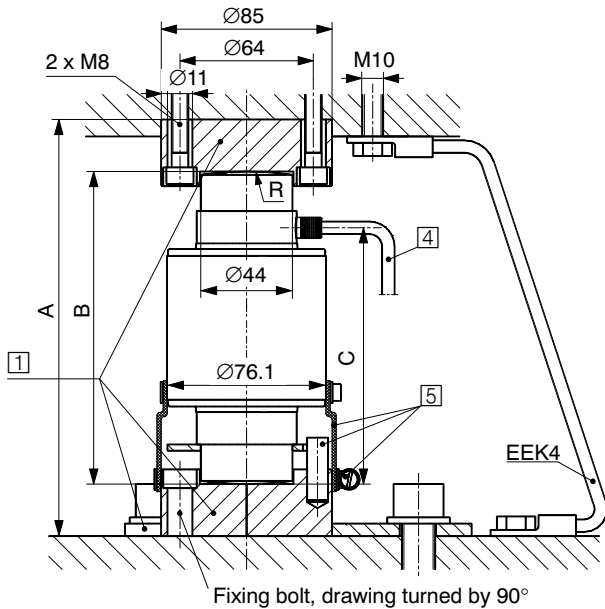
Options for C16i...

- Cable length 20 m ($E_{max} = 20 \text{ t} + 30 \text{ t}$)
- Cable length 40 m ($E_{max} = 20 \text{ t} \dots 60 \text{ t}$)
- Metal braided cable, 20 m long ($E_{max} = 20 \text{ t} \dots 60 \text{ t}$)

Dimensions and Accessories (in mm; 1 mm = 0.03937 inches)

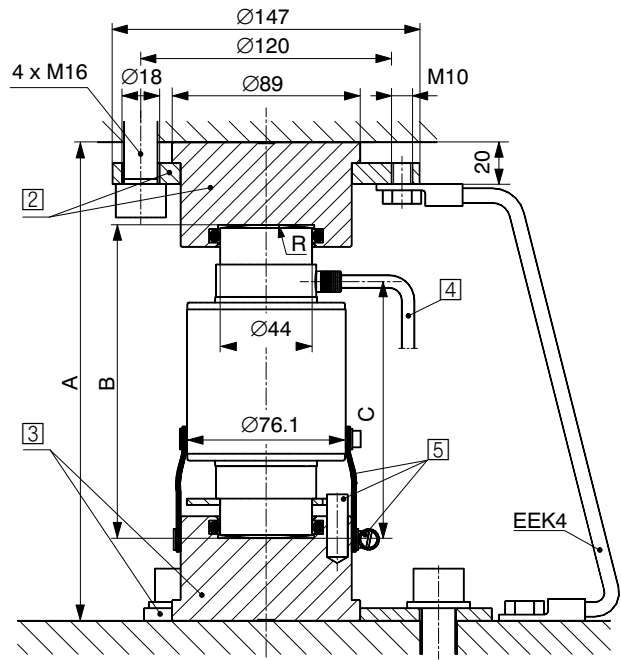
Mounting variation 1:

C16... + C16/ZOU44A (max. load per load cell = 40 t)

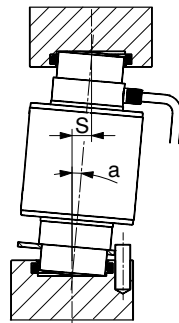
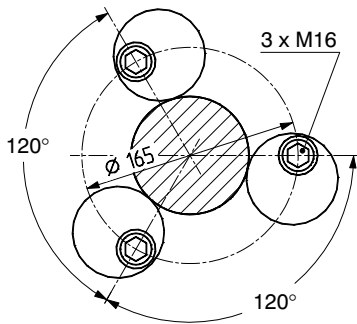


Mounting variation 2:

C16... + EPO3/50 t + C16/EPU44A



Top view



- 1 C16/ZOU44A
- 2 EPO3/50 t
- 3 C16/EPU44A
- 4 Cable length (standard):
20 t + 30 t = 12 m;
40 t + 60 t = 20 m
- 5 Dowel pin Ø10 x 30 (rotation stop),
flexible tube and tube clip enclosed
in the packing of the load cell

Mount. variation 1	E _{max} C16...	Thrust pieces above + below (1 set = 2 pcs.)		A	B	C	R Ball	a _{max} ²⁾	S _{max} ³⁾	F _R ⁴⁾ (% of applied load)	
		C16/ZOU44A ¹⁾								at S _{max}	at S = 1 mm
	20 t			200	150	123	130	5°	13	6.4	0.49
	30 t			200	150	123	160	5°	13	9.9	0.76
	40 t			200	150	123	180	5°	13	12.2	0.94
	60 t			260	210	157	220	3°	11	5.7	0.52

Mount. variation 2	E _{max} C16...	Thrust pieces		A	B	C	R Ball	a _{max} ²⁾	S _{max} ³⁾	F _R ⁴⁾ (% of applied load)	
		above	below							at S _{max}	at S = 1 mm
	20 t	EPO3/50 t	C16/EPU44A	229	150	123	130	5°	13	6.4	0.49
	30 t			229	150	123	160	5°	13	9.9	0.76
	40 t			229	150	123	180	5°	13	12.2	0.94
	60 t			289	210	157	220	3°	11	5.7	0.52

1) Max. load: 40 t

2) Max. permissible skewing

3) Max. permissible lateral displacement of load introduction

4) Restoring force

Accessories (to be ordered separately)

Thrust pieces

Mounting Variation 1:

- **C16/ZOU44A** Thrust pieces (stainless steel) for above and below (1 Set = 2 pcs.), for use with C16.../≤60 t up to a **maximum load per load cell of 40 tons**, incl. 3 excentric washers

Mounting Variation 2:

- **EPO3/50t** Thrust piece for above, incl. spanner
- **C16/EPU44A** Thrust piece for below, incl. 3 excentric washers

Serial-Converter

- **Interface converter set SC232/422B** (see separate data sheet)



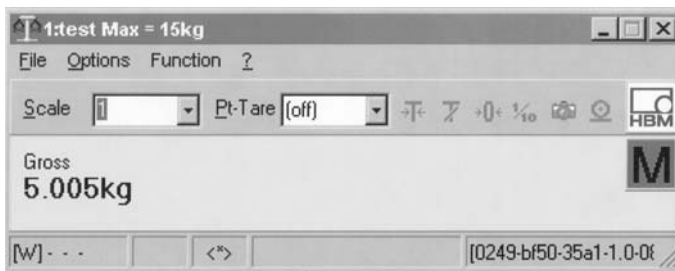
- Conversion of RS-232 in 4-wire-RS-422/485 or in 2-wire-RS-485 (adjustable)
- Galvanic separation
- High EMC-security (metallic housing)
- Power supply range 8 ... 30 V DC
- Incl. plug-in power supply unit ¹⁾ and PC-connection cable

1) Note:

The plug-in power supply unit supplies 15 V DC / 530mA and can be used for operation with up to 8x C16i load cells.
Please refer to the power supply table in the Installation instructions of the load cell!

Software

- **TRADE** (see separate Data sheet)



- Display and storage of legal for trade weighing data
- No special requirements on the PC
- Substitutes indicator and alibi-printer
- Handles up to 8 scales
- PTB Test Certificate D09-00.34 and EU Scale Approval available
- Diagnostic functions
- Installation support as corner adjustment, calibration w/o weights, etc.

Modifications reserved.

All details describe our products in general form only. They are not to be understood as express warranty and do not constitute any liability whatsoever.

Hottinger Baldwin Messtechnik GmbH

Im Tiefen See 45 · 64293 Darmstadt · Germany
Tel. +49 6151 803-0 · Fax: +49 6151 803-9100
Email: info@hbm.com · www.hbm.com

measure and predict with confidence

